



## 2017 Prep Student Resources

### Prep School Times

- Doors Open 8.30am
- Morning Bell 8:45 am
- Morning Session 9.00am—11.00am
- Morning Tea 11.00am—11.30am
- Middle Session 11.30—1.00pm
- Lunch 1.00pm—1.45pm
- Afternoon Session 1.45pm—3.00pm

**Child's Name:** \_\_\_\_\_

Please note: **ALL** items must be named and ready for the first day of the school year.

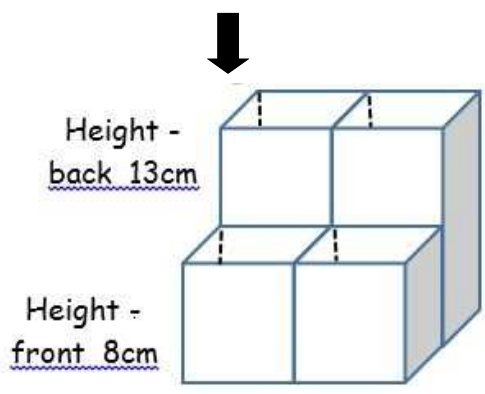
***Please ensure all items are clearly named***

### Stationery

- Bring all listed items at beginning of year
- Teachers will notify when items need to be replaced
- Texts books and other items are all available from Stanthorpe Officesmart.

### The Pencil Box

Use 4 x 1-litre milk cartons



Contact & decorate as you like!

- 1 iMaths Foundation Student Book -Firefly Press (available at Stanthorpe Officesmart)
- 1 Qld Targeting Handwriting Student - **Book P**
- 7 Scrapbooks - 96 pages
- 1 A4 Display book (plastic pages & clear cover)
- 1 Plastic document wallet with Velcro fastener
- 3 Manilla folders - **covered with contact**
- 1 Exercise book - Year 1 Lines (Not A4) - 48 pages
- 2 Botany books - Year 1 Lines (Not A4) - 48 pages
- 1 'Sovereign' brand Library Bag - Velcro Closure (for homework; available at Stanthorpe Officesmart)
- 1 A3 Art Block - Olympic Brand 25 pages (no spiral bound)
- 1 Packet of 12 coloured pencils (Faber Castel recommended)
- 1 Packet of 20 felt pens (Faber Castel connector pens recommended)
- 1 Box 12 HB lead pencils (STAEDTLER last longer, no pacers please) All pencils named and left in box
- 1 Eraser (soft white)
- 1 Packet of 12 wind up crayons (Crayola or Staedtler)
- 1 Packet of 16 Craypas
- 1 Pair of scissors 16cm long (no plastic blades)
- 6 Large Bostik Glue sticks - 35g
- 1 Whiteboard marker - Artline 577 (any colour but NOT black)
- 1 Paintbrush No 14
- 1 Pencil Box (**see instructions in the left column**)
- 1 Library bag (for library borrowing)
- 1 set of headphones (no earbuds please)
- 1 Paint shirt/art smock (Old Shirt)

### All Prep students

Bring along each day

- Morning tea & lunch each day in a lunch box
- Water bottle (named please)
- School bag to fit lunchbox, jumper, scrapbook, water bottle & hat

### Performances, Excursions & Curriculum Activities

**Arts Performance** is in Term 3. Performances are to be paid before the performance for the child to be able to attend. (approx. cost is \$6.00). Parents will be informed of exact costs closer to the date.

### Voluntary Contribution

**Voluntary Contributions** are used by the school to enhance resources available for student learning. You are invited to join the Voluntary Financial Contribution Scheme, for the suggested contribution amount of \$40 per child for the year. Details on how you can contribute will be mailed home at the start of the school year.



# Stanthorpe State School

## YEAR 1 & 2 Student Resources 2017

Child's Name: \_\_\_\_\_

Please note: **ALL** items must be named and ready for the first day of the school year.

### Primary School Times

- Doors Open 8.30am
- Bell Rings 8.45am
- Morning Session 9.00am—11.00am
- Morning Tea 11.00am—11.30am
- Middle Session 11.30—1.00pm
- Lunch 1.00pm—1.45pm
- Afternoon Session 1.45pm—3.00pm

<h3>Recycle</h3> <p>If still in good condition, these items from last year may be used again.</p>	<ul style="list-style-type: none"> <li><input type="checkbox"/> 1 Library Bag</li> <li><input type="checkbox"/> 1 Old shirt for painting</li> <li><input type="checkbox"/> 1 Computer Headset/headphones with microphone (no earbuds please)</li> <li><input type="checkbox"/> 1 USB Stick Minimum 2G, on a lanyard please</li> <li><input type="checkbox"/> 1 Homework Folder A3 Colby handy Pouch C-641 series (these are very strong so should last for years-large enough to carry all homework requirements)</li> </ul>	<ul style="list-style-type: none"> <li><input type="checkbox"/> 1 Large pencil case large enough for ruler</li> <li><input type="checkbox"/> 1 Pair of scissors blunt-nosed 15cm long - no plastic blades</li> <li><input type="checkbox"/> 1 30cm plastic ruler cm markings only, not metal or flexible</li> <li><input type="checkbox"/> 1 Metal pencil sharpener in small container for shavings</li> <li><input type="checkbox"/> 1 Feint ruled exercise book 64 pages (Music)</li> </ul>
<h3>Stationery</h3> <ul style="list-style-type: none"> <li>• All items are available at Stanthorpe Officesmart, including the recorder.</li> <li>• Where possible, please choose the recommended brands for proven quality &amp; durability.</li> <li>• Please bring all items to school on the first day.</li> </ul>	<p><b>Year 1 ONLY</b></p> <ul style="list-style-type: none"> <li><input type="checkbox"/> Queensland Targeting Handwriting Student Book 1—Qld Beginners Alphabet</li> <li><input type="checkbox"/> Targeting Maths Year 1- Australian Curriculum (Pascal Press)</li> <li><input type="checkbox"/> Alphabet Desk Strip—Qld Beginners</li> <li><input type="checkbox"/> 5 A4 Exercise Books – Year 1 48 pages, red and blue lines</li> <li><input type="checkbox"/> 1 Feint ruled exercise book 64 pages for Music</li> </ul> <p><b>Year 2 ONLY</b></p> <ul style="list-style-type: none"> <li><input type="checkbox"/> Queensland Targeting Handwriting Student Book 2—Qld Modern Cursive</li> <li><input type="checkbox"/> Targeting Maths Year 2—Australian Curriculum (Pascal Press)</li> <li><input type="checkbox"/> Alphabet Desk Strip—Joins train with exits and entries</li> <li><input type="checkbox"/> 5 A4 Exercise Books – Year 2 48 pages, red and blue lines</li> </ul>	<p><b>Year 1 &amp; 2</b></p> <ul style="list-style-type: none"> <li><input type="checkbox"/> 1 Number Desk Strip (1-20)</li> <li><input type="checkbox"/> 8 Scrap books 96 blank pages</li> <li><input type="checkbox"/> 1 Quad ruled exercise book 48 pages, 1cm squares</li> <li><input type="checkbox"/> 3 Foolscap manilla folders Covered with contact please</li> <li><input type="checkbox"/> 1 Calculator— SHARP ELSI MATE 231 L</li> <li><input type="checkbox"/> 1 Box 12 HB lead pencils (STAEDTLER last longer, no pacers please) All pencils named and left in box please.</li> <li><input type="checkbox"/> 1 Packet of 12 coloured pencils Faber Castel recommended; each pencil named please.</li> <li><input type="checkbox"/> 1 Pack 18 felt pens Faber Castel Connector pens recommended; each pen named please.</li> <li><input type="checkbox"/> 1 Packet of 18 crayons each crayon named please.</li> <li><input type="checkbox"/> 2 Erasers (soft, <u>white</u>)</li> <li><input type="checkbox"/> 4 Highlighters different colours please</li> <li><input type="checkbox"/> 4 Whiteboard Pens different colours please</li> <li><input type="checkbox"/> 1 Large Clag glue bottle These will need to be replenished through the year</li> </ul>
<h3>Performances, Excursions &amp; Curriculum Activities</h3>	<p><b>Arts Performance:</b> The Arts performance for the year is in Term 3. Performances are to be paid before the performance for the child to be able to attend. (approx. cost is \$6.00). Parents will be informed of exact costs closer to the date.</p>	
<h3>Voluntary Contribution</h3>	<p><b>Voluntary Contributions</b> are used by the school to enhance resources available for student learning. You are invited to join the Voluntary Financial Contribution Scheme, for the suggested contribution amount of \$40 per child for the year. Details on how you can contribute will be mailed home at the start of the school year.</p>	



# Stanthorpe State School

## YEAR 3 & 4 Student Resources 2017

Child's Name: \_\_\_\_\_

Please note: **ALL** items must be named and ready for the first day of the school year.

### Class Times

- Doors Open 8.30am
- Bell Rings 8.45am
- Morning Session 9.00am—11.00am
- Morning Tea 11.00am—11.30am
- Middle Session 11.30—1.00pm
- Lunch 1.00pm—1.45pm
- Afternoon Session 1.45pm—3.00pm

<h3>Recycle</h3> <p>If still in good condition, these items from last year may be used again.</p>	<ul style="list-style-type: none"> <li><input type="checkbox"/> 1 Library Bag</li> <li><input type="checkbox"/> 1 Old shirt for painting</li> <li><input type="checkbox"/> 1 Computer Headset/headphone with microphone (no earbuds please)</li> <li><input type="checkbox"/> 1 USB Stick minimum 2G on a lanyard please</li> <li><input type="checkbox"/> 1 Homework Folder A3 Colby handy Pouch C-641 series (these are very strong so should last for years &amp; are large enough to carry all homework requirements)</li> <li><input type="checkbox"/> 1 Calculator— SHARP ELSI MATE 231 L</li> <li><input type="checkbox"/> 1 Yamaha Descant Recorder</li> </ul>	<ul style="list-style-type: none"> <li><input type="checkbox"/> 1 large pencil case large enough for ruler</li> <li><input type="checkbox"/> 1 Pair of scissors blunt-nosed 15cm long - no plastic blades</li> <li><input type="checkbox"/> 1 30cm Plastic Ruler cm markings only; not metal or flexible</li> <li><input type="checkbox"/> 1 metal pencil sharpener in small container for shavings</li> <li><input type="checkbox"/> 1 Pack 18 felt pens Faber Castel Connector pens recommended; each pen named please</li> <li><input type="checkbox"/> 1 Alphabet Desk Strip (Joins train with exits and entries)</li> <li><input type="checkbox"/> 1 Feint lined exercise book for Music</li> </ul>
<h3>Stationery</h3> <ul style="list-style-type: none"> <li>• All items are available at Stanthorpe Officesmart, including the recorder.</li> <li>• Where possible, please choose the recommended brands for proven quality &amp; durability.</li> <li>• Please bring all items to school on the first day.</li> </ul>	<ul style="list-style-type: none"> <li><input type="checkbox"/> 1 Queensland Targeting Handwriting - (Queensland Modern Cursive) Student Book 3 (for year 3) or Book 4 (for year 4)</li> <li><input type="checkbox"/> 1 Dictionary Junior Macquarie 2nd Edition</li> <li><input type="checkbox"/> Read-it My Home Reading Journal Junior level, published by Kluwell Publications</li> <li><input type="checkbox"/> 6 A4 Exercise Books Year 3/4 (Red and Blue lines)</li> <li><input type="checkbox"/> 2 Foolscap Manilla Folders covered with contact please</li> <li><input type="checkbox"/> 5 Scrap books 96 blank pages</li> <li><input type="checkbox"/> 1 A4 Display folder with plastic sleeves</li> <li><input type="checkbox"/> 2 Quad ruled exercise books 1cm squares, 96 or 128 pages</li> <li><input type="checkbox"/> 1 A3 Art Block not spiral bound</li> <li><input type="checkbox"/> 1 Spiral Notepad Quill Q563A 200 pages</li> </ul>	<ul style="list-style-type: none"> <li><input type="checkbox"/> 1 Packet of 12 coloured pencils Faber Castel recommended; each pencil named please.</li> <li><input type="checkbox"/> 2 Erasers (soft white)</li> <li><input type="checkbox"/> 4 Large Glue sticks (35g) Bostick brand recommended</li> <li><input type="checkbox"/> 1 Box 12 STAEDTLER HB lead pencils (<b>not pacer</b>) all pencils named and left in box please</li> <li><input type="checkbox"/> 2 Whiteboard markers different colours</li> <li><input type="checkbox"/> 1 Highlighter pen any colour</li> <li><input type="checkbox"/> 1 Red Biro</li> </ul>
<h3>Loaned Items</h3> <p>Books borrowed under your child's name at the beginning of the year.</p>	<p><b>John Pitts Recorder from the Beginning Book 1, 2 or 3</b> - These books are supplied by our P&amp;C association and will be issued through the school Library. They will be borrowed under your child's name at the beginning of every school year.</p>	<p><b>Music Teacher / Administration staff</b> will issue a reminder with all students to return their borrowed recorder books at the end of every school year. A fee may be incurred if not returned at end of the year.</p>
<h3>Performances, Excursions &amp; Curriculum Activities</h3>	<ul style="list-style-type: none"> <li><input type="checkbox"/> <b>Arts Performance</b> – The Arts performance is in Term 3 (approx. cost is \$6.00). Parents will be informed of exact costs closer to the date.</li> <li><input type="checkbox"/> <b>1 White buttoned collared long sleeve shirt is required</b> for musical groups: (<i>Senior girls &amp; boys choir, Concert band, Strings ensemble &amp; Recorder band</i>)</li> <li><input type="checkbox"/> <b>Instrumental Music</b> Students can optionally participate in the instrumental music program at a cost of \$80/student if loaning a school instrument, or \$50 if using your own instrument. Students may also be invited to attend an instrumental music camp in Warwick (\$35) and Toowoomba (\$225).</li> </ul>	
<h3>Voluntary Contribution</h3>	<p><b>Voluntary Contributions</b> are used by the school to enhance resources available for student learning. You are invited to join the Voluntary Financial Contribution Scheme, for the suggested contribution amount of \$40 per child for the year. Details on how you can contribute will be mailed home at the start of the school year.</p>	



<b>Doors Open</b>	8.30am
<b>Bell Rings</b>	8.45am
<b>Morning Session</b>	9.00am—11.00am
<b>Morning Tea</b>	11.00am—11.30am
<b>Middle Session</b>	11.30—1.00pm
<b>Lunch</b>	1.00pm—1.45pm
<b>Afternoon Session</b>	1.45pm—3.00pm

## YEAR 5 & 6 Student Resources 2017

**Child's Name:** \_\_\_\_\_

*Please note: **ALL** items must be named and ready for the first day of the school year.*

<h3>Recycle</h3> <p>If still in good condition, these items from last year may be used again.</p>	<ul style="list-style-type: none"> <li><input type="checkbox"/> 1 Library Bag</li> <li><input type="checkbox"/> 1 Old shirt for painting</li> <li><input type="checkbox"/> 1 Computer Headset/headphones with microphone (no earbuds please)</li> <li><input type="checkbox"/> 1 USB Stick minimum 2G on a lanyard please</li> <li><input type="checkbox"/> 1 Dictionary, <i>EITHER</i> Oxford Australian Student Colour <i>OR</i> Junior Macquarie 2nd Edition</li> <li><input type="checkbox"/> 1 Calculator— SHARP ELSI MATE 231 L</li> <li><input type="checkbox"/> 1 Kent Mathematical Set</li> <li><input type="checkbox"/> 1 large pencil case (large enough for ruler)</li> <li><input type="checkbox"/> 1 Pair of scissors 15cm long - no plastic blades</li> <li><input type="checkbox"/> 1 30cm Plastic Ruler cm markings only; not metal or flexible</li> <li><input type="checkbox"/> 1 metal pencil sharpener in small container for shavings</li> </ul>	<ul style="list-style-type: none"> <li><input type="checkbox"/> 1 Manilla Folder</li> <li><input type="checkbox"/> 2 A4 Display folders plastic pages</li> <li><input type="checkbox"/> 1 A4 sketch book—Not Scrapbook, Quill Brand</li> <li><input type="checkbox"/> 1 Yamaha Descant Recorder available from Stanthorpe Officesmart</li> <li><input type="checkbox"/> 1 Feint ruled exercise book 64 pages, for Music</li> <li><input type="checkbox"/> 1 Feint ruled A4 exercise book 64 pages, for LOTE</li> <li><input type="checkbox"/> 3 Plastic Document Wallets with Velcro fasteners (for LOTE, Music, Classwork)</li> <li><input type="checkbox"/> 1 Homework Folder A3 Colby handy Pouch C-641 series (these are very strong so should last for years-large enough to carry all homework requirements)</li> </ul>
<h3>Stationery</h3> <ul style="list-style-type: none"> <li>• All items are available at Stanthorpe Officesmart, including the recorder.</li> <li>• Where possible, please choose the recommended brands for proven quality &amp; durability.</li> <li>• Please bring all items to school on the first day.</li> </ul>	<ul style="list-style-type: none"> <li><input type="checkbox"/> 1 Queensland Targeting Handwriting - (Queensland Modern Cursive) Student Book 5 (for year 5) or Book 6 (for year 6)</li> <li><input type="checkbox"/> My Home Reading Journal orange level, published by Kluwell Publications</li> <li><input type="checkbox"/> 1 Spiral note pad Quill Q563A 200 pages</li> <li><input type="checkbox"/> 1 Scrap Book 96 pages</li> <li><input type="checkbox"/> 2 Quad Ruled exercise books 7 mm squares, 96 pages.</li> <li><input type="checkbox"/> 12 A4 Feint blue lined exercise books 96 pages</li> </ul>	<ul style="list-style-type: none"> <li><input type="checkbox"/> 2 Boxes of 12 STAEDTLER HB lead pencils (no pacers please)</li> <li><input type="checkbox"/> 1 Packet of 12 coloured pencils Faber Castel recommended; each pencil named please.</li> <li><input type="checkbox"/> 1 Pack 18 felt pens Faber Castel Connector pens recommended; each pen named please</li> <li><input type="checkbox"/> 4 Large Bostick Glue sticks (35g)</li> <li><input type="checkbox"/> 2 Red biros</li> <li><input type="checkbox"/> 2 Blue / black biros</li> <li><input type="checkbox"/> 4 Erasers soft white</li> <li><input type="checkbox"/> 1 Highlighter pen any colour</li> </ul>
<h3>Loaned Items</h3> <p>Books borrowed under your child's name at the beginning of the year.</p>	<p><b>John Pitts Recorder from the Beginning Book 1, 2 or 3</b> - These books are supplied by our P&amp;C association and will be issued through the school Library. They will be borrowed under your child's name at the beginning of every school year.</p>	<p><b>Music Teacher / Administration staff</b> will issue a reminder with all students to return their borrowed recorder books at the end of every school year. A fee may be incurred if not returned at end of the year.</p>
<h3>Performances, Excursions &amp; Curriculum Activities</h3>	<ul style="list-style-type: none"> <li><input type="checkbox"/> <b>White buttoned, collared long sleeve shirt for musical groups:</b> Senior girls &amp; boys Choir, Concert Band, String Ensemble &amp; Recorder Band.</li> <li><input type="checkbox"/> <b>Arts Performance</b> is in Term 3. Performances are to be paid <u>before</u> the performance for the child to be able to attend. The approx. cost is \$6.00. Parents will be informed of exact costs closer to the date.</li> <li><input type="checkbox"/> <b>Year 6 Leadership Camp at Tallebudgera Beach School</b> is in Term 2. The approximate cost of the camp is \$300 per student. Parents conduct fundraising in to reduce this cost. The final cost will be provided to families a month before the camp.</li> <li><input type="checkbox"/> <b>Year 6 Extended Learning Camp</b> is in November each year. The approximate cost is \$40. Parents will be advised of exact costs closer to the date.</li> </ul>	
<h3>Voluntary Contribution</h3>	<p><b>Voluntary Contributions</b> are used by the school to enhance resources available for student learning. You are invited to join the Voluntary Financial Contribution Scheme, for the suggested contribution amount of \$40 per child for the year. Details on how you can contribute will be mailed home at the start of the school year.</p>	