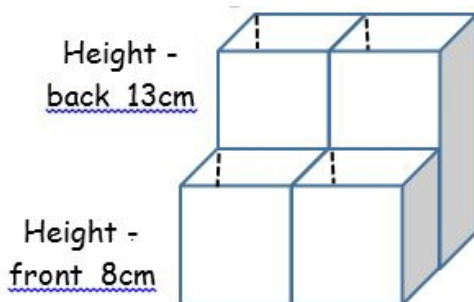




## 2025 Prep Student Resources

- Bring all listed items at beginning of year
- Teachers will notify when items need to be replaced
- Text books and other items are all available from Stanthorpe Newsagency

**The Pencil Box** – use 4 x 1 litre milk cartons



Cover with contact and decorate as you like!

### Stationery

- 1 Queensland Targeting Handwriting Student Book - Book P
- 7 Scrapbooks - 96 pages
- 1 A4 Display book plastic pages & clear cover
- 1 Plastic document wallet with Velcro fastener
- 2 Foolscap Manilla folders - covered with contact
- 1 Exercise book - Year 1 Lines - 48 pages
- 2 Botany books - Year 1 Lines - 48 pages
- 1 Homework Pouch/bag—A3 Colby Handy Pouch C-641 series (these are very strong so should last for years - large enough)
- 1 Packet of 12 coloured pencils (STAEDTLER recommended)
- 1 Packet of 20 felt pens (Faber Castel connector pens recommended NOT 'Pastel and Neon')
- 1 Box 12 HB lead pencils (STAEDTLER last longer, no pacers please) All pencils named and left in box
- 1 Eraser (soft white)
- 1 Packet of 12 wind up crayons (Crayola, STAEDTLER or BIC)

- 1 Packet of 16 Oil Pastels (not STUDYMATE brand)
- 1 Pair of scissors 16cm long (no plastic blades)
- 6 Large Bostik Glue sticks - 35g
- 4 Whiteboard markers (any colour) (bullet tip)
- 1 Pencil Box (see instructions in the left column) Or purchase from QKR! app (school)
- 1 Computer Headset/headphones (no earbuds please)
- 1 Paint shirt/art smock (or Old Shirt)
- 1 Paintbrush - flat brush Size 14

**All Prep Students** – bring along each day

- Morning tea & lunch each day in a lunchbox
- Water bottle (named please)
- School bag to fit lunchbox, jumper, scrapbook, water bottle & hat

### Performances, Excursions & Curriculum Activities

**QKR! by MasterCard app** It is advised that all parents download the app, which is a safe and secure method of paying for tuckshop, excursions, SRS, camps, fundraisers etc.

**QParents app** The Department of Education will be putting more services online for parents to access. You will be able to pay school invoices, inform of student absences, provide consent for excursions, view academic reports, update address and contact details and see upcoming events.

### Voluntary Contributions

Voluntary Contributions are used by the school to enhance resources available for student learning. You are invited to join the Voluntary Financial Contribution Scheme, for the suggested contribution amount of \$40 per child for the year. You can contribute by donating through the QKR! by MasterCard app.

Student Name: \_\_\_\_\_