



2020 Prep Student Resources

Prep School Times

- Doors Open
8.30am
- Morning Bell
8:45 am
- Morning Session
9.00am—11.00am
- Morning Tea
11.00am—11.30am
- Middle Session
11.30—1.00pm
- Lunch
1.00pm—1.45pm
- Afternoon Session
1.45pm—3.00pm

Child's Name: _____

Please note: **ALL** items must be named and ready for the first day of the school year.

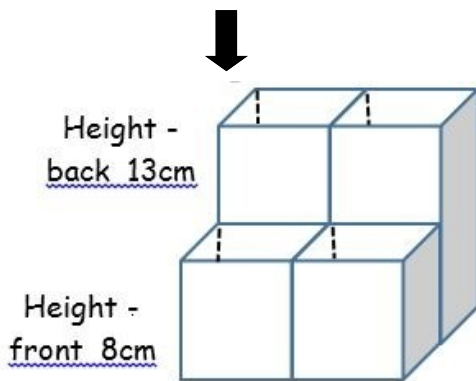
Please ensure all items are clearly named

Stationery

- Bring all listed items at beginning of year
- Teachers will notify when items need to be replaced
- All items are available for purchase from Stanthorpe Newsagency. Payment plans are available.

The Pencil Box

Use 4 x 1-litre milk cartons



Contact & decorate as you like!

- 1 iMaths Foundation Student Book -Firefly Press (available at Stanthorpe Officesmart)
- 1 Qld Targeting Handwriting Student - **Book P**
- 7 Scrapbooks - 96 pages
- 2 A4 Display books plastic pages & clear cover, one for The Arts
- 1 Plastic document wallet with Velcro fastener
- 2 Foolsap Manilla folders - **covered with contact**
- 1 Exercise book - Year 1 Lines (Not A4) - 48 pages
- 2 Botany books - Year 1 Lines (Not A4) - 48 pages
- 1 A3 Art Block - Olympic Brand 25 pages (no spiral bound)
- 1 'Sovereign' brand Library Bag - Velcro Closure (for homework; available at Stanthorpe Officesmart)
- 1 Packet of 12 coloured pencils (Faber Castel recommended)
- 1 Packet of 20 felt pens (Faber Castel connector pens recommended)
- 1 Box 12 HB lead pencils (STAEDTLER last longer, no pacers please) All pencils named and left in box
- 2 Erasers (soft white)
- 1 Packet of 12 wind up crayons (Crayola or STAEDTLER)
- 1 Packet of 16 Craypas
- 1 Pair of scissors 16cm long (no plastic blades)
- 6 Large Bostik Glue sticks - 35g
- 1 Whiteboard marker (STAEDTLER, any colour)
- 1 Paintbrush No 14
- 1 Pencil Box (**see instructions in the left column**)
- 1 Library bag (for library borrowing)
- 1 Computer Headset/headphones with microphone & USB connector (no earbuds please)
- 1 Paint shirt/art smock (Old Shirt)

All Prep students

Bring along each day

- Morning tea & lunch each day in a lunch box
- Water bottle (named please)
- School bag to fit lunchbox, jumper, scrapbook, water bottle & hat

Performances, Excursions & Curriculum Activities

Arts Performance is in Term 3. Performances are to be paid before the performance for the child to be able to attend. (approx. cost is \$6.00). Parents will be informed of exact costs closer to the date.

Voluntary Contribution

Voluntary Contributions are used by the school to enhance resources available for student learning. You are invited to join the Voluntary Financial Contribution Scheme, for the suggested contribution amount of \$40 per child for the year. Details on how you can contribute will be mailed home at the start of the school year.



2020 Year 1 & 2 Student Resources

Child's Name: _____

*Please note: **ALL** items must be named and ready for the first day of the school year.*

Class Times	
Doors Open	8.30am
Bell Rings	8.45am
Morning Session	9.00am—11.00am
Morning Tea	11.00am—11.30am
Middle Session	11.30—1.00pm
Lunch	1.00pm—1.45pm
Afternoon Session	1.45pm—3.00pm

Please ensure all items are clearly named

<p>Recycle</p> <p>If still in good condition, these items from last year may be used again.</p>	<ul style="list-style-type: none"> <input type="checkbox"/> 1 Library Bag <input type="checkbox"/> 1 Computer Headset/headphones with microphone & USB connector (no earbuds please) <input type="checkbox"/> 1 USB Stick minimum 8G on a lanyard please, non-sliding preferred <input type="checkbox"/> 1 Homework Folder A3 Colby handy Pouch C-641 series (these are very strong so should last for years-large enough to carry all homework requirements) 	<ul style="list-style-type: none"> <input type="checkbox"/> 1 Large pencil case <input type="checkbox"/> 1 Pair of scissors blunt-nosed 15cm long - no plastic blades <input type="checkbox"/> 1 30cm wooden or plastic ruler cm markings only, not metal or flexible <input type="checkbox"/> 1 pencil sharpener with small container for shavings
<p>Stationery</p> <ul style="list-style-type: none"> • All items are available for purchase from Stanthorpe Newsagency. Payment plans are available. • Where possible, please choose the recommended brands for proven quality & durability. • Please bring all items to school on the first day. • Teachers will notify when items need to be replaced. 	<p>Year 1 ONLY</p> <ul style="list-style-type: none"> <input type="checkbox"/> Queensland Targeting Handwriting Student Book 1—Qld Beginners Alphabet <input type="checkbox"/> Targeting Maths Year 1- Australian Curriculum (Pascal Press) <input type="checkbox"/> Alphabet Desk Strip—Qld Beginners <input type="checkbox"/> 5 A4 Exercise Books – Year 1 48 pages, red and blue lines <p>Year 2 ONLY</p> <ul style="list-style-type: none"> <input type="checkbox"/> Queensland Targeting Handwriting Student Book 2—Qld Modern Cursive <input type="checkbox"/> Targeting Maths Year 2—Australian Curriculum (Pascal Press) <input type="checkbox"/> Alphabet Desk Strip—Joins train with exits and entries <input type="checkbox"/> 5 A4 Exercise Books – Year 2 48 pages, red and blue lines 	<p>Year 1 & 2</p> <ul style="list-style-type: none"> <input type="checkbox"/> 1 Top Load Attache File A4 <input type="checkbox"/> 1 A4 Exercise Book Quad Ruled 48 pages, 1cm squares <input type="checkbox"/> 10 Scrap books 96 blank pages <input type="checkbox"/> 2 Foolscap manilla folders Covered with contact please <input type="checkbox"/> 1 A4 Display Folder with plastic sleeves for The Arts <input type="checkbox"/> 1 Calculator— SHARP ELSI MATE 231 L <input type="checkbox"/> 2 Boxes 12 HB lead pencils (STAEDTLER last longer, no pacers please) All pencils named and left in box please. <input type="checkbox"/> 1 Packet of 12 coloured pencils Faber Castel recommended; each pencil named please. <input type="checkbox"/> 1 Packet of 18 crayons each crayon named please. <input type="checkbox"/> 2 Erasers (soft, white) <input type="checkbox"/> 6 Highlighters different colours please <input type="checkbox"/> 4 Whiteboard Pens different colours please <input type="checkbox"/> 8 Large Glue sticks (35g) Bostick brand recommended
<p>Performances, Excursions & Curriculum Activities</p>	<p>Arts Performance: The Arts performance for the year is in Term 3. Performances are to be paid <u>before</u> the performance for the child to be able to attend. (approx. cost is \$6.00). Parents will be informed of exact costs closer to the date.</p>	
<p>Voluntary Contribution</p>	<p>Voluntary Contributions are used by the school to enhance resources available for student learning. You are invited to join the Voluntary Financial Contribution Scheme, for the suggested contribution amount of \$40 per child for the year. Details on how you can contribute will be mailed home at the start of the school year.</p>	



2020 Year 3 & 4 Student Resources

Class Times	
Doors Open	8.30am
Bell Rings	8.45am
Morning Session	9.00am—11.00am
Morning Tea	11.00am—11.30am
Middle Session	11.30—1.00pm
Lunch	1.00pm—1.45pm
Afternoon Session	1.45pm—3.00pm

Child's Name: _____

*Please note: **ALL** items must be named and ready for the first day of the school year.*

Please ensure all items are clearly named

<p>Recycle</p> <p>If still in good condition, these items from last year may be used again.</p>	<ul style="list-style-type: none"> <input type="checkbox"/> 1 Library Bag <input type="checkbox"/> 1 Old shirt for painting <input type="checkbox"/> 1 Computer Headset/headphone with microphone and USB connection (no earbuds please) <input type="checkbox"/> 1 USB Stick minimum 8G on a lanyard please, non-sliding preferred <input type="checkbox"/> 1 Homework Folder A3 Colby handy Pouch C-641 series (These are very strong so should last for years; large enough to carry all homework requirements.) <input type="checkbox"/> 1 large pencil case <input type="checkbox"/> 1 Calculator— SHARP ELSI MATE 231 L 	<ul style="list-style-type: none"> <input type="checkbox"/> 1 Pair of scissors blunt-nosed 15cm long - no plastic blades <input type="checkbox"/> 1 30cm Wooden or Plastic Ruler cm markings only; not metal or flexible <input type="checkbox"/> 1 pencil sharpener (with small container for shavings) <input type="checkbox"/> 1 Pack 18 felt pens Faber Castel Connector pens recommended; each pen named please
<p>Stationery</p> <ul style="list-style-type: none"> • All items are available for purchase from Stanthorpe Newsagency. Payment plans are available. • Where possible, please choose the recommended brands for proven quality & durability. • Please bring all items to school on the first day. • Teachers will notify when items need to be replaced. 	<ul style="list-style-type: none"> <input type="checkbox"/> 1 Queensland Targeting Handwriting - (Queensland Modern Cursive) Student Book 3 (for year 3) or Book 4 (for year 4) <input type="checkbox"/> 1 Dictionary, <i>preferably</i> Macquarie Primary Dictionary <input type="checkbox"/> Read-it My Home Reading Journal Junior level, published by Kluwell Publications <input type="checkbox"/> 6 Year 3/4 ruled A4 Exercise Books (Red and blue lined) 96 pages <input type="checkbox"/> 4 Scrap books 96 blank pages <input type="checkbox"/> 3 A4 Display folders with plastic sleeves, one for The Arts <input type="checkbox"/> 2 Quad ruled exercise books 1cm squares, 96 or 128 pages 	<ul style="list-style-type: none"> <input type="checkbox"/> 1 Packet of 12 coloured pencils Faber Castel recommended; each pencil named please. <input type="checkbox"/> 2 Erasers (soft white) <input type="checkbox"/> 4 Large Glue sticks (35g) Bostick brand recommended <input type="checkbox"/> 1 Box 12 STAEDTLER HB lead pencils (not pacer) all pencils named and left in box please <input type="checkbox"/> 2 Whiteboard markers different colours <input type="checkbox"/> 1 4-pack Highlighter pens <input type="checkbox"/> 2 Red Biros
<p>Performances, Excursions & Curriculum Activities</p>	<ul style="list-style-type: none"> <input type="checkbox"/> Arts Performance – The Arts performance is in Term 3 (approx. cost is \$6.00). Parents will be informed of exact costs closer to the date. <input type="checkbox"/> Instrumental Music Students can optionally participate in the instrumental music program at a cost of \$85/student if loaning a school instrument, or \$60 if using your own instrument. Students may also be invited to attend an instrumental music camp in Warwick (approx. \$35) and Toowoomba (approx. \$235). 	
<p>Voluntary Contribution</p>	<p>Voluntary Contributions are used by the school to enhance resources available for student learning. You are invited to join the Voluntary Financial Contribution Scheme, for the suggested contribution amount of \$40 per child for the year. Details on how you can contribute will be mailed home at the start of the school year.</p>	



2020 Year 5 & 6 Student Resources

Class Times	
Doors Open	8.30am
Bell Rings	8.45am
Morning Session	9.00am—11.00am
Morning Tea	11.00am—11.30am
Middle Session	11.30—1.00pm
Lunch	1.00pm—1.45pm
Afternoon Session	1.45pm—3.00pm

Child's Name: _____

Please note: **ALL** items must be named and ready for the first day of the school year.

Please ensure all items are clearly named

<p>Recycle</p> <p>If still in good condition, these items from last year may be used again.</p>	<ul style="list-style-type: none"> <input type="checkbox"/> 1 Computer Headset/headphones with microphone and USB connection (no earbuds please) <input type="checkbox"/> 1 USB Stick minimum 8G on a lanyard please, non-sliding preferred <input type="checkbox"/> 1 Dictionary, preferably Macquarie Primary Dictionary <input type="checkbox"/> 1 Calculator— SHARP ELSI MATE 231 L <input type="checkbox"/> 1 Kent Mathematical Set <input type="checkbox"/> 1 large pencil case <input type="checkbox"/> 1 Pair of scissors 15cm long - no plastic blades <input type="checkbox"/> 1 30cm Wooden or Plastic Ruler cm markings only; not metal or flexible <input type="checkbox"/> 1 pencil sharpener (with small container for shavings) 	<ul style="list-style-type: none"> <input type="checkbox"/> 1 Manilla Folder <input type="checkbox"/> 3 A4 Display folders plastic sleeves, one for The Arts <input type="checkbox"/> 1 Feint ruled A4 exercise book 128 pages, for Languages (Italian) <input type="checkbox"/> 2 Plastic Document Wallets with Velcro fasteners (1 for Italian, 1 for Classwork) <input type="checkbox"/> 1 Homework Folder A3 Colby handy Pouch C-641 series (These are very strong so should last for years; large enough to carry all home-work requirements.) <input type="checkbox"/> 1 Library Bag <input type="checkbox"/> 1 Old shirt for painting
<p>Stationery</p> <ul style="list-style-type: none"> • All items are available for purchase from Stanthorpe Newsagency. Payment plans are available. • Where possible, please choose the recommended brands for proven quality & durability. • Please bring all items to school on the first day. • Teachers will notify when items need to be replaced. 	<ul style="list-style-type: none"> <input type="checkbox"/> 1 Queensland Targeting Handwriting - (Queensland Modern Cursive) Student Book 5 (for year 5) or Book 6 (for year 6) <input type="checkbox"/> My Home Reading Journal orange level, published by Kluwell Publications <input type="checkbox"/> 2 Scrap Books 96 pages <input type="checkbox"/> 14 A4 Feint blue lined exercise books 96 pages <input type="checkbox"/> 2 Quad ruled exercise books 1cm squares, 96 or 128 pages <input type="checkbox"/> 4 Large Bostick Glue sticks (35g) <input type="checkbox"/> 4 Erasers soft white 	<ul style="list-style-type: none"> <input type="checkbox"/> 2 Boxes of 12 STAEDTLER HB lead pencils (no pacers please) <input type="checkbox"/> 1 Packet of 12 coloured pencils Faber Castel recommended; each pencil named please. <input type="checkbox"/> 1 Pack 18 felt pens Faber Castel Connector pens recommended; each pen named please <input type="checkbox"/> 2 Red biros <input type="checkbox"/> 2 Blue / black biros <input type="checkbox"/> 2 Whiteboard markers different colours <input type="checkbox"/> 1 4-pack Highlighter pens
<p>Performances, Excursions & Curriculum Activities</p>	<ul style="list-style-type: none"> <input type="checkbox"/> Instrumental Music Students can optionally participate in the instrumental music program at a cost of \$85/student if loaning a school instrument, or \$60 if using your own instrument. Students may also be invited to attend an instrumental music camp in Warwick (approx. \$35) and Toowoomba (approx. \$235). <input type="checkbox"/> Arts Performance is in Term 3. Performances are to be paid <u>before</u> the performance for the child to be able to attend. The approx. cost is \$6.00. Parents will be informed of exact costs closer to the date. <input type="checkbox"/> Year 6 Leadership Camp at Tallebudgera Beach School is in Term 2. The approximate cost of the camp is \$300 per student. Parents conduct fundraising to reduce this cost. The final cost will be provided to families a month prior to camp. <input type="checkbox"/> Year 6 Extended Learning Camp is in November each year. The approximate cost is \$40. Parents will be advised of exact costs closer to the date. 	
<p>Voluntary Contribution</p>	<p>Voluntary Contributions are used by the school to enhance resources available for student learning. You are invited to join the Voluntary Financial Contribution Scheme, for the suggested contribution amount of \$40 per child for the year. Details on how you can contribute will be mailed home at the start of the school year.</p>	