



2024 Prep Student Resources

Prep School Times

- Office Doors Open 8.15am
- Prep Doors Open 8.30am
- Morning Bell 8:45 am
- Morning Session 9.00am—11.00am
- Morning Tea 11.00am—11.30am
- Middle Session 11.30—1.00pm
- Lunch 1.00pm—1.45pm

Child's Name:

Please note: **ALL** items must be named and ready for the first day of the school year.

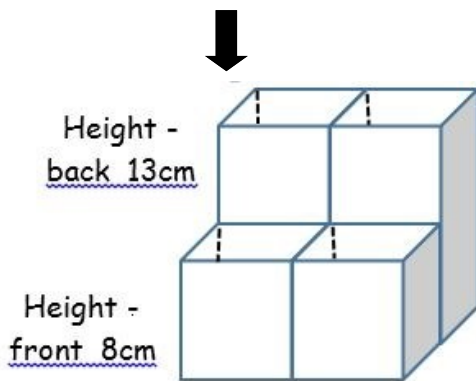
Please ensure all items are clearly named

Stationery

- Bring all listed items at beginning of year
- Teachers will notify when items need to be replaced
- Texts books and other items are all available from Stanthorpe Newsagency.

The Pencil Box

Use 4 x 1-litre milk cartons



Contact & decorate as you like!

- 1 Queensland Targeting Handwriting Student Book - **Book P**
- 7 Scrapbooks - 96 pages
- 1 A4 Display book plastic pages & clear cover, one for The Arts
- 1 Plastic document wallet with Velcro fastener
- 2 **Foolscap** Manilla folders - **covered with contact**
- 1 Exercise book - Year 1 Lines - 48 pages
- 2 Botany books - Year 1 Lines - 48 pages
- 1 Homework Pouch/bag—A3 Colby Handy Pouch C-641 series (these are very strong so should last for years - large enough)
- 1 Packet of 12 coloured pencils (STAEDTLER recommended)
- 1 Packet of 20 felt pens (Faber Castel connector pens recommended **NOT** 'Pastel and Neon')
- 1 Box 12 HB lead pencils (STAEDTLER last longer, no pacers please) All pencils named and left in box
- 1 Eraser (soft white)
- 1 Packet of 12 wind up crayons (Crayola, STAEDTLER or BIC)
- 1 Packet of 16 Oil Pastels
- 1 Pair of scissors 16cm long (no plastic blades)
- 6 **Large** Bostik Glue sticks - 35g
- 4 Whiteboard markers (any colour)
- 1 Pencil Box (**see instructions in the left column**)
- 1 Computer Headset/headphones (no earbuds please)
- 1 Paint shirt/art smock (or Old Shirt)
- 1 Paintbrush - flat brush Size 14

All Prep students

Bring along each day

- Morning tea & lunch each day in a lunch box
- Water bottle (named please)
- School bag to fit lunchbox, jumper, scrapbook, water bottle & hat

Performances, Excursions & Curriculum Activities

- QKR!™ by MasterCard app** It is advised that all parents download the app, which is a safe and secure method of paying for tuckshop, excursions, SRS, camps, fundraisers etc.

Voluntary Contribution

Voluntary Contributions are used by the school to enhance resources available for student learning. You are invited to join the Voluntary Financial Contribution Scheme, for the suggested contribution amount of \$40 per child for the year. You can contribute by donating through the QKR!™ by MasterCard app.



2024 Year 1 & 2 Student Resources

Class Times	
Doors Open	8.15am
Bell Rings	8.45am
Morning Session	9.00am—11.00am
Morning Tea	11.00am—11.30am
Middle Session	11.30—1.00pm
Lunch	1.00pm—1.45pm
Afternoon Session	1.45pm—3.00pm

Child's Name: _____

*Please note: **ALL** items must be named and ready for the first day of the school year.*

Please ensure all items are clearly named

<p>Recycle</p> <p>If still in good condition, these items from last year may be used again.</p>	<ul style="list-style-type: none"> <input type="checkbox"/> 1 Library Bag <input type="checkbox"/> 1 Computer Headset/headphones with microphone & USB connector (no earbuds please) <input type="checkbox"/> 1 USB Stick minimum 8G on a lanyard please, non-sliding preferred <input type="checkbox"/> 1 Homework Folder A3 Colby handy Pouch C-641 series (these are very strong so should last for years-large enough to carry all homework requirements) 	<ul style="list-style-type: none"> <input type="checkbox"/> 1 Large pencil case <input type="checkbox"/> 1 Pair of scissors blunt-nosed 15cm long - no plastic blades <input type="checkbox"/> 1 30cm wooden or plastic ruler cm markings only, not metal or flexible <input type="checkbox"/> 1 metal pencil sharpener in small container for shavings
<p>Stationery</p> <ul style="list-style-type: none"> • All items are available at Stanthorpe Newsagency. • Where possible, please choose the recommended brands for proven quality & durability. • Please bring all items to school on the first day. • Teachers will notify when items need to be replaced. 	<p>Year 1 ONLY</p> <ul style="list-style-type: none"> <input type="checkbox"/> No Erasers/Rubbers <input type="checkbox"/> Queensland Targeting Handwriting Student Book 1—Qld Beginners Alphabet <input type="checkbox"/> Targeting Maths Year 1- Australian Curriculum (Pascal Press) <input type="checkbox"/> Alphabet Desk Strip—Qld Beginners <input type="checkbox"/> 9 A4 Exercise Books – Year 1 48 pages, red and blue lines <p>Year 2 ONLY</p> <ul style="list-style-type: none"> <input type="checkbox"/> Queensland Targeting Handwriting Student Book 2—Qld Modern Cursive <input type="checkbox"/> Targeting Maths Year 2—Australian Curriculum (Pascal Press) <input type="checkbox"/> Alphabet Desk Strip—Joins train with exits and entries <input type="checkbox"/> 9 A4 Exercise Books – Year 2 48 pages, red and blue lines 	<p>Year 1 & 2</p> <ul style="list-style-type: none"> <input type="checkbox"/> No Erasers/Rubbers <input type="checkbox"/> 8 Scrap books 96 blank pages <input type="checkbox"/> 2 Foolscap manilla folders Covered with contact please <input type="checkbox"/> 1 Calculator— SHARP ELSI MATE 231L <input type="checkbox"/> 1 USB Stick minimum 8G on a lanyard please, non-sliding preferred <input type="checkbox"/> 6 Boxes 12 HB lead pencils (STAEDTLER last longer, no pacers please) All pencils named and left in box please. <input type="checkbox"/> 1 Packet of 12 coloured pencils Faber Castel recommended; each pencil named please. <input type="checkbox"/> 1 Packet of 18 crayons each crayon named please. <input type="checkbox"/> 6 Highlighters different colours please <input type="checkbox"/> 6 Whiteboard Pens different colours please <input type="checkbox"/> 8 Large Glue sticks (35g) Bostick brand recommended
<p>Performances, Excursions & Curriculum Activities</p>	<ul style="list-style-type: none"> <input type="checkbox"/> QKR!™ by MasterCard app It is advised that all parents download the app, which is a safe and secure method of paying for tuckshop, excursions, SRS, camps, fundraisers etc. 	
<p>Voluntary Contribution</p>	<p>Voluntary Contributions are used by the school to enhance resources available for student learning. You are invited to join the Voluntary Financial Contribution Scheme, for the suggested contribution amount of \$40 per child for the year. You can contribute by donating through the QKR!™ by MasterCard app.</p>	



2024 Year 3 & 4 Student Resources

Class Times	
Doors Open	8.15am
Bell Rings	8.45am
Morning Session	9.00am—11.00am
Morning Tea	11.00am—11.30am
Middle Session	11.30—1.00pm
Lunch	1.00pm—1.45pm
Afternoon Session	1.45pm—3.00pm

Child's Name:

*Please note: **ALL** items must be named and ready for the first day of the school year.*

Please ensure all items are clearly named

<p>Recycle</p> <p>If still in good condition, these items from last year may be used again.</p>	<ul style="list-style-type: none"> <input type="checkbox"/> 1 Library Bag <input type="checkbox"/> 1 Old shirt for painting <input type="checkbox"/> 1 Computer Headset/headphone with microphone (no earbuds please) <input type="checkbox"/> 1 USB Stick minimum 8G on a lanyard please, non-sliding preferred <input type="checkbox"/> 1 Homework Folder A3 Colby handy Pouch C-641 series (These are very strong so should last for years; large enough to carry all homework requirements.) <input type="checkbox"/> 1 large pencil case <input type="checkbox"/> 1 Calculator— SHARP ELSI MATE EL-243S 	<ul style="list-style-type: none"> <input type="checkbox"/> 1 Pair of scissors blunt-nosed 15cm long - no plastic blades <input type="checkbox"/> 1 30cm Wooden or Plastic Ruler cm markings only; not metal or flexible <input type="checkbox"/> 1 metal pencil sharpener (in small container for shavings) <input type="checkbox"/> 1 Pack 18 felt pens Faber Castel Connector pens recommended; each pen named please
<p>Stationery</p> <ul style="list-style-type: none"> • All items are available at Stanthorpe Newsagency. • Where possible, please choose the recommended brands for proven quality & durability. • Please bring all items to school on the first day. • Teachers will notify when items need to be replaced. 	<ul style="list-style-type: none"> <input type="checkbox"/> 1 Queensland Targeting Handwriting - (Queensland Modern Cursive) Student Book 3 (for year 3) or Book 4 (for year 4) <input type="checkbox"/> 1 Dictionary, Oxford Australian Student Colour (recycled from Year 3) <input type="checkbox"/> 10 Year 3/4 ruled A4 Exercise Books (Red and blue lined) 96 pages <input type="checkbox"/> 3 Scrap books 96 blank pages <input type="checkbox"/> 3 A4 Display folders with plastic sleeves, one for The Arts <input type="checkbox"/> 2 Quad ruled exercise books 1cm squares, 96 or 128 pages <input type="checkbox"/> 1 Signpost Maths Book Book 3 (for Year 3) or Book 4 (for Year 4) 	<ul style="list-style-type: none"> <input type="checkbox"/> 1 Packet of 12 coloured pencils Faber Castel recommended; each pencil named please. <input type="checkbox"/> 4 Erasers (soft white) <input type="checkbox"/> 4 Large Glue sticks (35g) Bostick brand recommended <input type="checkbox"/> 2 Boxes 12 STAEDTLER HB lead pencils (not pacer) all pencils named and left in box please <input type="checkbox"/> 2 Whiteboard markers different colours <input type="checkbox"/> 1 4-pack Highlighter pens <input type="checkbox"/> 2 Red Biros
<p>Performances, Ex-cursions & Curriculum Activities</p>	<ul style="list-style-type: none"> <input type="checkbox"/> Instrumental Music Students can optionally participate in the instrumental music program. The Student Resource Scheme will be a set amount for resources, and additional costs for students without their own instrument, who are hiring a school instrument. Students may also be invited to attend an instrumental music camp in Warwick (approx. \$35) and Toowoomba (approx. \$235). <input type="checkbox"/> QKR!™ by MasterCard app It is advised that all parents download the app, which is a safe and secure method of paying for tuckshop, excursions, SRS, camps, fundraisers etc. 	
<p>Voluntary Contribution</p>	<p>Voluntary Contributions are used by the school to enhance resources available for student learning. You are invited to join the Voluntary Financial Contribution Scheme, for the suggested contribution amount of \$40 per child for the year. You can contribute by donating through the QKR!™ by MasterCard app.</p>	



2024 Year 5 & 6 Student Resources

Child's Name:

Please note: **ALL** items must be named and ready for the first day of the school year.

Class Times

Doors Open	8.15am
Bell Rings	8.45am
Morning Session	9.00am—11.00am
Morning Tea	11.00am—11.30am
Middle Session	11.30—1.00pm
Lunch	1.00pm—1.45pm
Afternoon Session	1.45pm—3.00pm

Please ensure all items are clearly named

<p>Recycle</p> <p>If still in good condition, these items from last year may be used again.</p>	<ul style="list-style-type: none"> <input type="checkbox"/> 1 Computer Headset/headphones with microphone (no earbuds please) <input type="checkbox"/> 1 USB Stick minimum 8G on a lanyard please, non-sliding preferred <input type="checkbox"/> 1 Dictionary, preferably Oxford Australian Student Colour OR Junior Macquarie 2nd Edition <input type="checkbox"/> 1 Calculator— SHARP ELSI MATE EL-243S <input type="checkbox"/> 1 Kent Mathematical Set <input type="checkbox"/> 1 large pencil case <input type="checkbox"/> 1 Pair of scissors 15cm long - no plastic blades <input type="checkbox"/> 1 30cm Wooden or Plastic Ruler cm markings only; not metal or flexible <input type="checkbox"/> 1 metal pencil sharpener (in small container for shavings) 	<ul style="list-style-type: none"> <input type="checkbox"/> 1 Manilla Folder <input type="checkbox"/> 2 A4 Display folders plastic sleeves <input type="checkbox"/> 1 Feint ruled A4 exercise book 128 pages, for Languages (Italian) <input type="checkbox"/> 2 Plastic Document Wallets with Velcro fasteners (1 for Italian, 1 for Classwork) <input type="checkbox"/> 1 Homework Folder A3 Colby handy Pouch C-641 series (These are very strong so should last for years; large enough to carry all homework requirements.) <input type="checkbox"/> 1 Library Bag <input type="checkbox"/> 1 Old shirt for painting
<p>Stationery</p> <ul style="list-style-type: none"> • All items are available at Stanthorpe Newsagency. • Where possible, please choose the recommended brands for proven quality & durability. • Please bring all items to school on the first day. • Teachers will notify when items need to be replaced. 	<ul style="list-style-type: none"> <input type="checkbox"/> 1 2024 Student Diary <input type="checkbox"/> 3 Scrap Books 96 pages <input type="checkbox"/> 10 A4 Feint blue lined exercise books 96 pages or 128 pages <input type="checkbox"/> 1 Quad ruled exercise book 1cm squares, 96 or 128 pages <input type="checkbox"/> 6 Large Bostick Glue sticks (35g) <input type="checkbox"/> 4 Erasers soft white 	<ul style="list-style-type: none"> <input type="checkbox"/> 2 Boxes of 12 STAEDTLER HB lead pencils (no pacers please) <input type="checkbox"/> 1 Packet of 12 coloured pencils Faber Castel recommended; each pencil named please. <input type="checkbox"/> 1 Pack 18 felt pens Faber Castel Connector pens recommended; each pen named please <input type="checkbox"/> 4 Red biros <input type="checkbox"/> 4 Blue / 4 Black biros <input type="checkbox"/> 4 Whiteboard markers different colours <input type="checkbox"/> 1 4-pack Highlighter pens <input type="checkbox"/> White out tape (optional) not liquid
<p>Performances, Excursions & Curriculum Activities</p>	<ul style="list-style-type: none"> <input type="checkbox"/> Instrumental Music Students can optionally participate in the instrumental music program. The Student Resource Scheme will be a set amount for resources, and additional costs for students without their own instrument, who are hiring a school instrument. Students may also be invited to attend an instrumental music camp in Warwick (approx. \$35) and Toowoomba (approx. \$235). <input type="checkbox"/> Year 6 Leadership Camp at Tallebudgera Beach School is in Term 2. The approximate cost of the camp is \$400 per student. Parents conduct fundraising in to reduce this cost. The final cost will be provided to families a month before the camp. <input type="checkbox"/> Year 6 Extended Learning Camp is in November each year. The approximate cost is \$65. Parents will be advised of exact costs closer to the date. <input type="checkbox"/> QKR!™ by MasterCard app It is advised that all parents download the app, which is a safe and secure method of paying for tuckshop, excursions, SRS, camps, fundraisers etc. 	
<p>Voluntary Contribution</p>	<p>Voluntary Contributions are used by the school to enhance resources available for student learning. You are invited to join the Voluntary Financial Contribution Scheme, for the suggested contribution amount of \$40 per child for the year. You can contribute by donating through the QKR!™ by MasterCard app.</p>	

STANTHORPE STATE PRIMARY SCHOOL 2024

Number of students: 254

Prep - 25

YEAR 1 - 30

YEAR 2 - 40

YEAR 3 - 37

YEAR 4 - 44

YEAR 5 - 33

YEAR 6 - 45

TEXT BOOKS NEEDED

Prep

Qld Targeting Handwriting Student Book P

Year 1

Queensland Targeting Handwriting Student Book 1 - Qld Beginners Alphabet
Targeting Maths Year 1—Australian Curriculum (Pascal Press)

Year 2

Queensland Targeting Handwriting Student Book 2 - Qld Modern Cursive
Targeting Maths Year 2—Australian Curriculum (Pascal Press)

Year 3

Queensland Targeting Handwriting Student Book 3 - Queensland Modern Cursive
Signpost Maths Book for Year 3

Year 4

Queensland Targeting Handwriting Student Book 4 - Queensland Modern Cursive
Signpost Maths Book for Year 4

ITEMS FOR ALL CLASSES - Year 1 to Year 6

Flash drive/USB - min 8G (not the sliding/retracting style)

Headset/Headphone with microphone

Calculator— SHARP ELSI MATE - 231L